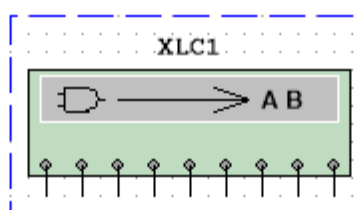
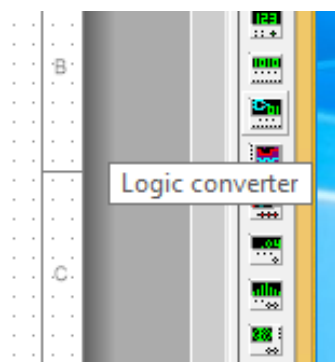


Синтез та аналіз комбінаційної схеми **Logic converter**

F40 1 0 1 0 0 1 1 1 0 0 0 1 0 0 0 1



Logic converter-XLC1

Out

	<input type="radio"/> A	<input type="radio"/> B	<input type="radio"/> C	<input type="radio"/> D	<input checked="" type="radio"/> E	<input checked="" type="radio"/> F	<input checked="" type="radio"/> G	<input checked="" type="radio"/> H	
000	0	0	0	0					1
001	0	0	0	1					0
002	0	0	1	0					1
003	0	0	1	1					0
004	0	1	0	0					0
005	0	1	0	1					1
006	0	1	1	0					1
007	0	1	1	1					1
008	1	0	0	0					0
009	1	0	0	1					0
010	1	0	1	0					0
011	1	0	1	1					1
012	1	1	0	0					0
013	1	1	0	1					0

Conversions

- $\Rightarrow$   $\rightarrow \overline{A|B}$
- $\overline{A|B} \rightarrow A|B$
- $\overline{A|B} \xrightarrow{\text{SIMP}} A|B$
- $A|B \rightarrow \overline{A|B}$
- $A|B \rightarrow \Rightarrow$
- $A|B \rightarrow \text{NAND}$

$\overline{101} \rightarrow A/B$

Logic converter-XLC1

Out

	<input type="radio"/> A	<input type="radio"/> B	<input type="radio"/> C	<input type="radio"/> D	<input checked="" type="radio"/> E	<input checked="" type="radio"/> F	<input checked="" type="radio"/> G	<input checked="" type="radio"/> H	
000	0	0	0	0					1
001	0	0	0	1					0
002	0	0	1	0					1
003	0	0	1	1					0
004	0	1	0	0					0
005	0	1	0	1					1
006	0	1	1	0					1
007	0	1	1	1					1
008	1	0	0	0					0
009	1	0	0	1					0
010	1	0	1	0					0
011	1	0	1	1					1
012	1	1	0	0					0
013	1	1	0	1					0

Conversions

- $\Leftrightarrow \rightarrow \overline{101}$
- $\overline{101} \rightarrow A/B$
- $\overline{101} \xrightarrow{\text{SIMP}} A/B$
- $A/B \rightarrow \overline{101}$
- $A/B \rightarrow \Leftrightarrow$
- $A/B \rightarrow \text{NAND}$

$A'B'CD' + A'B'CD + A'BC'D + A'BCD' + A'BCD + AB'CD + ABCD$

$\overline{101} \xrightarrow{\text{SIMP}} A/B$

Logic converter-XLC1

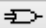
Out

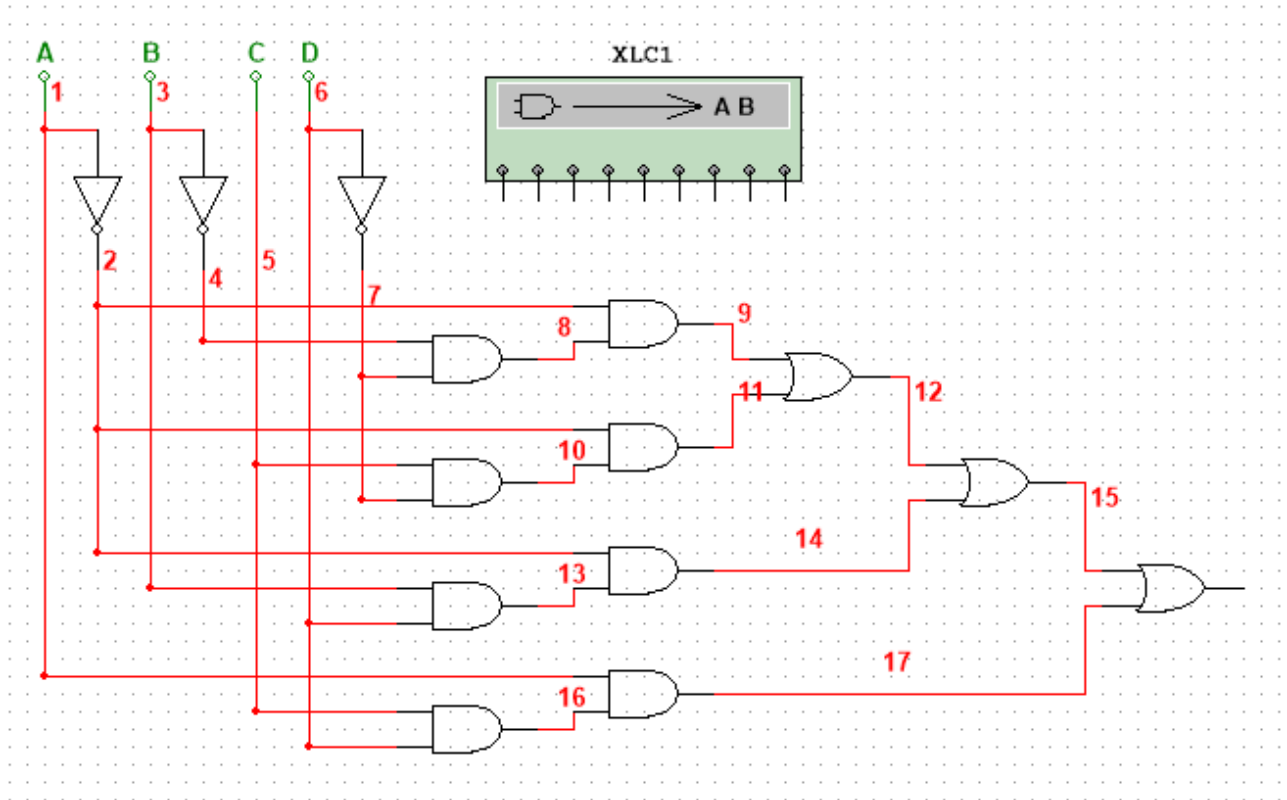
	<input type="radio"/> A	<input type="radio"/> B	<input type="radio"/> C	<input type="radio"/> D	<input checked="" type="radio"/> E	<input checked="" type="radio"/> F	<input checked="" type="radio"/> G	<input checked="" type="radio"/> H	
000	0	0	0	0					1
001	0	0	0	1					0
002	0	0	1	0					1
003	0	0	1	1					0
004	0	1	0	0					0
005	0	1	0	1					1
006	0	1	1	0					1
007	0	1	1	1					1
008	1	0	0	0					0
009	1	0	0	1					0
010	1	0	1	0					0
011	1	0	1	1					1
012	1	1	0	0					0
013	1	1	0	1					0

Conversions

- $\Leftrightarrow \rightarrow \overline{101}$
- $\overline{101} \rightarrow A/B$
- $\overline{101} \xrightarrow{\text{SIMP}} A/B$
- $A/B \rightarrow \overline{101}$
- $A/B \rightarrow \Leftrightarrow$
- $A/B \rightarrow \text{NAND}$

$A'B'D' + A'CD' + A'BD + ACD$

A/B → 



A/B → NAND

