

Review

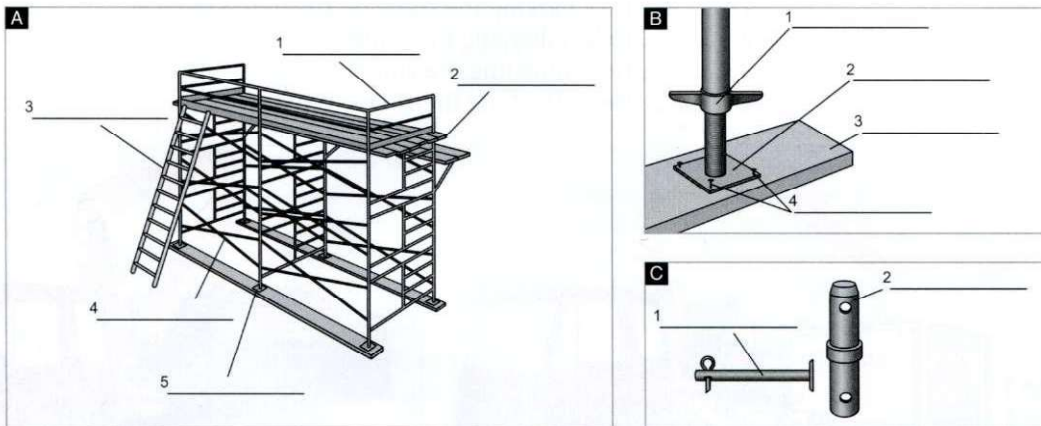
Writing 1 Write the tradesperson that works with each of these materials.

- | | |
|---------------|------------------|
| 1 wood _____ | 4 bricks _____ |
| 2 metal _____ | 5 concrete _____ |
| 3 glass _____ | 6 paint _____ |

2 Are these sentences *true* (T) or *false* (F)?

- 1 Journeymen work unsupervised. (T / F)
- 2 HVAC stands for 'heating, ventilation and air conditioning'. (T / F)
- 3 Twelve divided by three is three. (T / F)

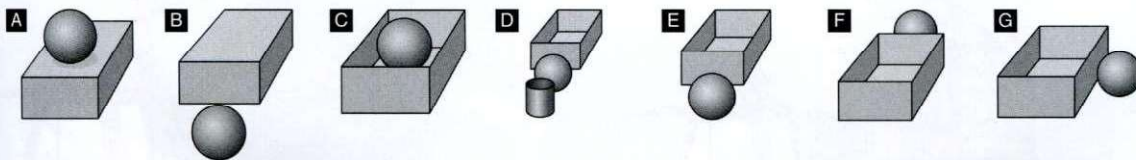
3 Label these diagrams.



4 Write instructions for erecting scaffolding. Use the words in the box.

adjust attach fill in fit inspect join level nail slide use

5 Label these diagrams with the correct prepositions.



6 Complete this text with the words in the box.

apprentice(s) between on-the-job qualification safety years

The Institute of Masonry is in the centre of town, in (1) _____ a factory and an office block. It has 28 (2) _____ and three instructors. All the work is supervised and includes (3) _____ training, instruction on the use of modern equipment, tools and materials, and instruction on health and (4) _____ . The training takes three (5) _____ to complete. At the end of the course, apprentices get the Level 2 Diploma in Stone Masonry (6) _____ .